



AP SERIES PASSIVE INFRARED

Model numbers: AP750, AP475, NX482, ITI 60-880-95

All Models:

- Adaptive 4D signal processing analyzes size, speed, shape and adaptive alarm threshold
- True curtain "barrier" coverage patterns
- AP750 - 7 curtains, 50 ft. range at 6'-10' mounting heights. Range can be reduced to 33'.
- AP475 - 1 single long range curtain, 75 ft. range up to 16 ft. high
- Commercial solutions when detection is as critical as preventing false alarms

Wireless Models

(NX482, ITI 60-880-95):

- Learn Mode™
- 319.5MHz crystal transmitter

The AP Series passive infrared sensors use true curtain "barriers," a feature that is unique to this advanced line of sensors. These infrared barriers provide continuous floor-to-ceiling coverage for superior detection and "undercrawl" protection.

The AP Series sensors use patented 4D signal processing to evaluate an incoming signal's size, speed and shape. If the signal matches that generated by a human signature, the detector goes into alarm. This patented technology automatically adapts its alarm threshold when faced with a wide variety of environmental disturbances or harsh environments. The result is fewer false alarms and better detection.

In addition, the AP Series sensors are easy to install. Simple clip-on plastic mirror inserts on the AP750 let you choose from four coverage patterns: full 90°, 45° left, 45° right and center curtain only.

By combining sophisticated 4D signal processing with exclusive 3D barrier technology, the AP Series sensors deliver unsurpassed performance, reliability and false alarm immunity.

continued

AP Series Adaptive Passive Infrared

Specifications:

Current consumption Normal operation 9mA
 In alarm, LED on 12mA
 Alarm outputs Closed or open loop
 contacts rated at 100mA at 28V DC
 Tamper contacts Rated 100mA at 28V DC
 Dimensions 4" x 2.8" x 2" (10.3 cm x 7.1 cm x 5.1 cm)
 Operating Voltage
AP750 10V DC to 15V DC
 Maximum ripple 2V peak to peak at 12V DC
AP475 8V DC to 15V DC
 Maximum ripple 2V peak to peak at 12V DC
 Mounting Height
AP750, NX482, 60-880-95 6' - 10' (1.8m - 3m)
AP475 5.5' - 16' (1.8m - 5m)

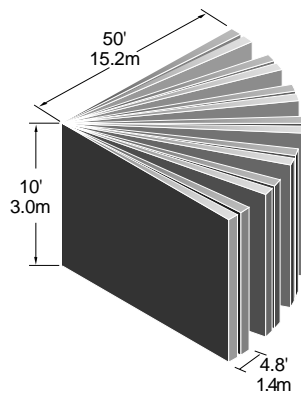
Coverage

AP750, NX482, 60-880-95 Seven 50' (15m) curtains
 Range can be reduced to 33'
 Pattern may be adapted using mirror inserts supplied
AP475 One 75' (24.6 m) curtain
 Environmental limits
AP750, NX482, 60-880-95 .. 0°F to 131°F (-18°C to +55°C)
 Max 90% humidity, non-condensing
AP475 0°F to 131°F (-18°C to +55°C)
 Max 93% humidity, non-condensing

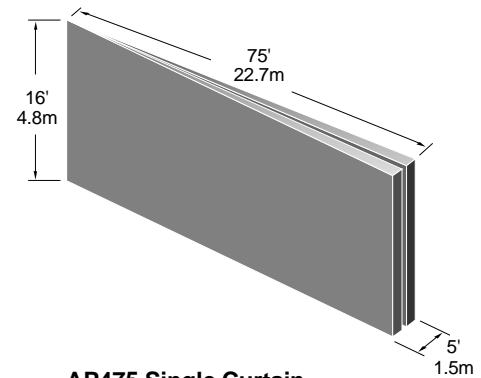
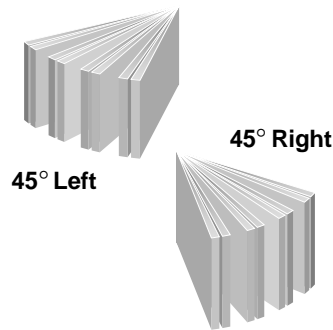
Wireless Specifications:

Compatibility (NX482, 60-880-95 only)
 NX482 all Caddx brand panels
 60-880-95 all ITI brand 319.5MHz Learn Mode™ panels
 Battery Life 5 years typical
 Battery (2) Duracell DL 123A 3V Lithium
 Signal types Alarm, tamper,
 low battery supervisory

Coverage Patterns



AP750; NX482
7 curtains @ 50'
Mounts up to 10'



AP475 Single Curtain
1 curtain @ 75'
Mounts up to 16'

Ordering Information

Model Number	Description	Listing
AP750	50' range, 7 curtains, Form C plus tamper, mounts up to 10' high	UL, ULC
AP475	75' range, 1 single long range curtain, Form C plus tamper, mounts up to 16' high	UL, ULC
NX482; 60-880-95	50' range, 7 curtains, Form C plus tamper, mounts up to 10' high, 319.5MHz ITI brand crystal transmitter	



SECURITY & LIFE SAFETY GROUP

PH 503.692.4052
 USA & Canada: 800.547.2556
 Technical Service: 800.648.7424 FaxBack: 800.483.2495
 www.sentrol.com www.interlogixsecurity.com

©2001 Interlogix, Inc.
 Interlogix, Caddx, ESL, ITI and Sentrol are trademarks of
 Interlogix, Inc.